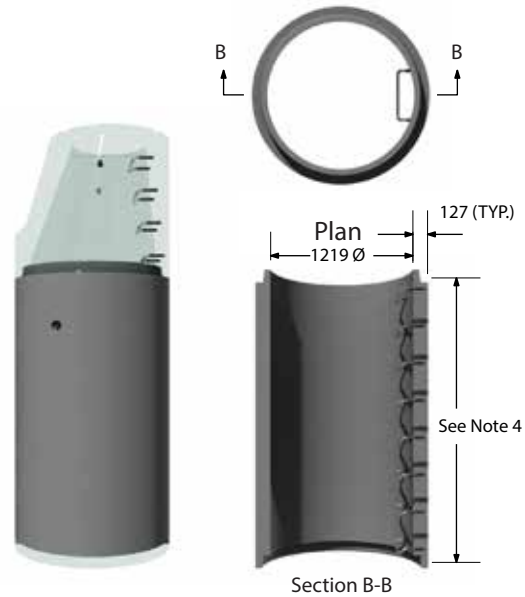
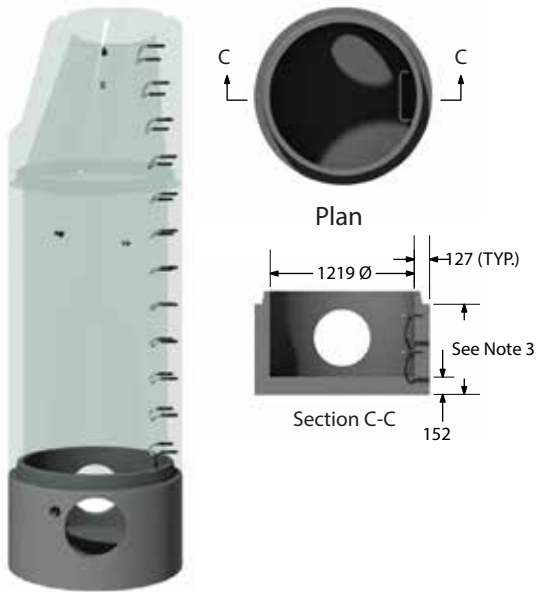


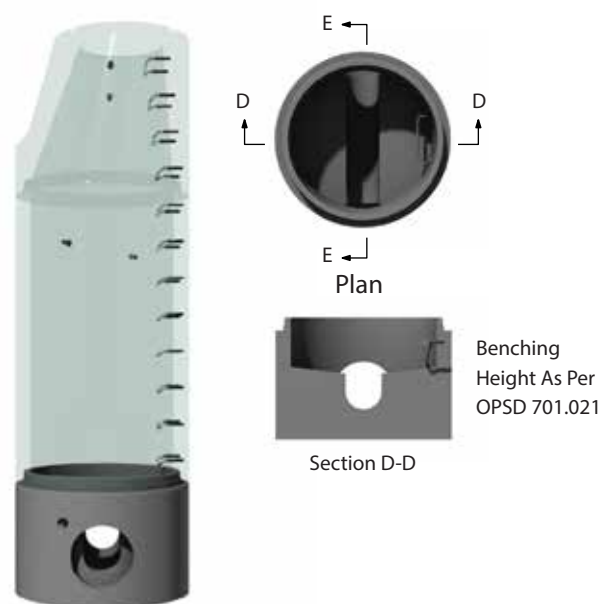
Base Slab
 (mass - 759 kg)



Riser
 (mass - 1340 kg/m)



Standard Mono Base
 (mass - 720 kg + 1340 kg/m)



Benched Mono Base

Maintenance Hole 1200mm Riser and Base Sections

Notes

1. Manufactured in accordance with OPSD 701.031 and 701.032.
2. See page 35 for maximum pipe size and alignment angles.
3. Available mono base heights - 610, 762, 914, 1067, 1219, 1372, 1524, 1676 and 1829.
4. Available riser section heights - 305, 610, 914, 1219, 1524 and 1829.
5. Maintenance hole steps (circular hollow aluminum) as per OPSD 405.010.
6. All dimensions are in millimeters unless otherwise shown.
7. 1200 conversion riser requires gasket on both spigot ends.
8. Pre-benching available.

