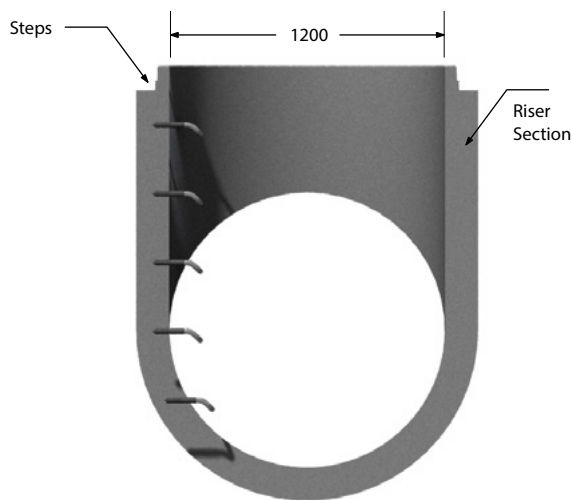


Section A-A



Section B-B

Pipe Maintenance Hole Tees

Notes

1. Manufactured in accordance with OPSD 707.010.
2. Maintenance hole steps as per OPSD 405.010.
3. Contact the M CON engineering department for special design maintenance tee applications.
4. All dimensions are in millimeters unless otherwise shown.

