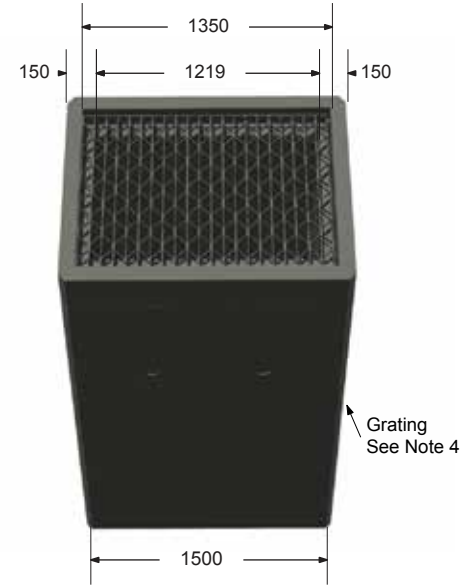
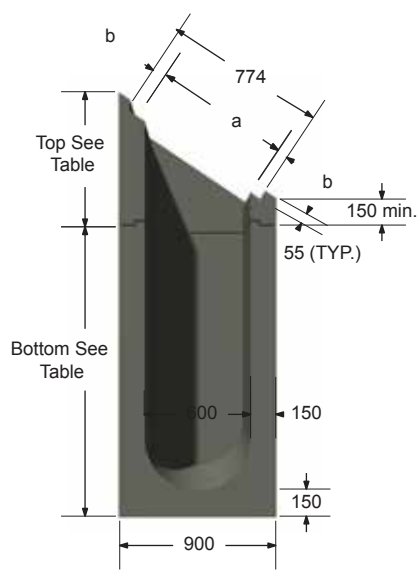




M CON Products
 2150 Richardson Side Road
 Ottawa, ON, K0A 1L0, Canada
 tf. + 1 800 267 5515
 e. sales@mconproducts.com

Ditch Inlet Type A

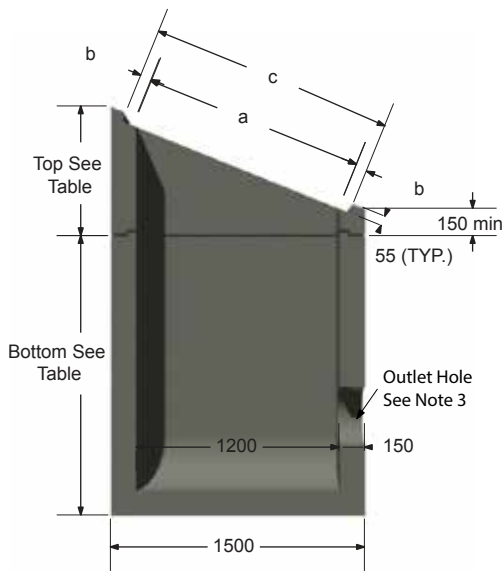
Opening Dimension			
Grate		a	b
Type	Slope		
B	2H:1V	670	52
	3H:1V	632	71
	4H:1V	618	78
	Horizontal	600	87



Ditch Inlet Type A

Ditch Inlet Type B

Opening Dimension				
Grate		a	b	c
Type	Slope			
C	2H:1V	1341	66	1473
	3H:1V	1265	104	1473
	4H:1V	1237	118	1473
B	6H:1V	1216	65	1346
	Horizontal	1200	73	1346



Ditch Inlet Type B

Standard Bottom Heights (mm)	
A	1219
B	1372
C	1524
D	1676
E	1829
F	1981

Standard Top Heights (mm)	
A	152
B	305
C	762
D	914

Notes
 A- Monolithic Base heights as follows: .61m - 1.53m @ .15m increments
 B- Riser Top Section heights as follows: .76m - 1.22m @ .15m increments
 C- Slopes available as follows: X = 2,3,4,6, & Horizontal

* Sections also available with variable heights @ .15m increments

600 x 1200mm Ditch Inlet Catch Basin

Notes

1. Manufactured in accordance with OPSD 705.040.
2. Riser sections are available in heights of .305 to 1.219m in 152mm increments.
3. Standard outlet opening is 50mm diameter.
4. Honey comb grating as per OPSD 403.010 - Type B and Type A.
5. All dimensions are in millimeters, unless otherwise shown.
6. Refer to pages 60-63 to see how ditch inlets are incorporated into maintenance holes.
7. IPEX/Plastech ICD backplates available.

