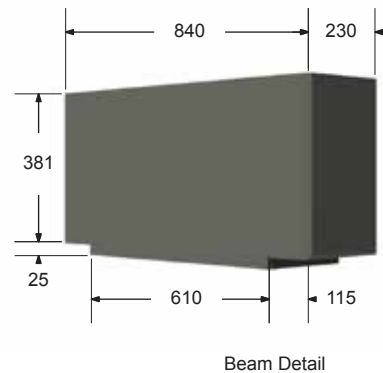
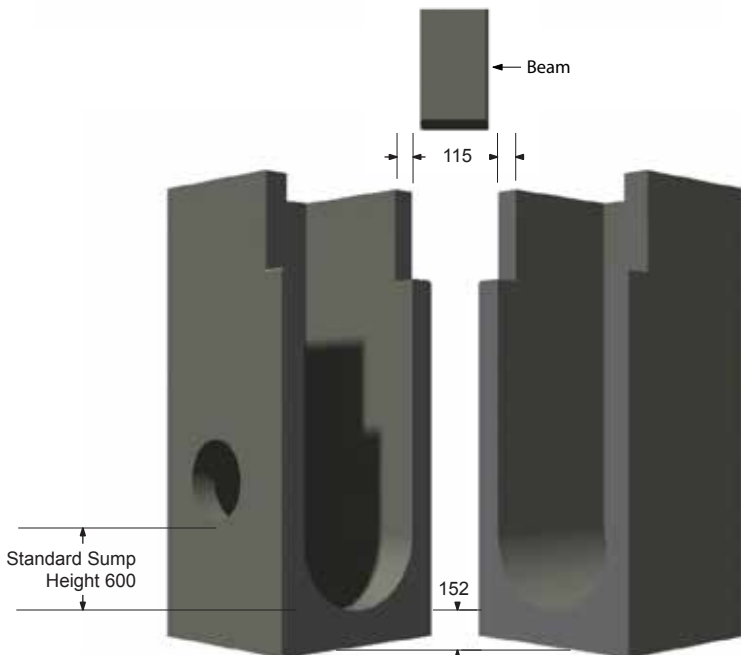


Alternate Standard Heights (mm)	
A	1219
B	1372
C	1524
D	1676
E	1829
F	1981
G	2134

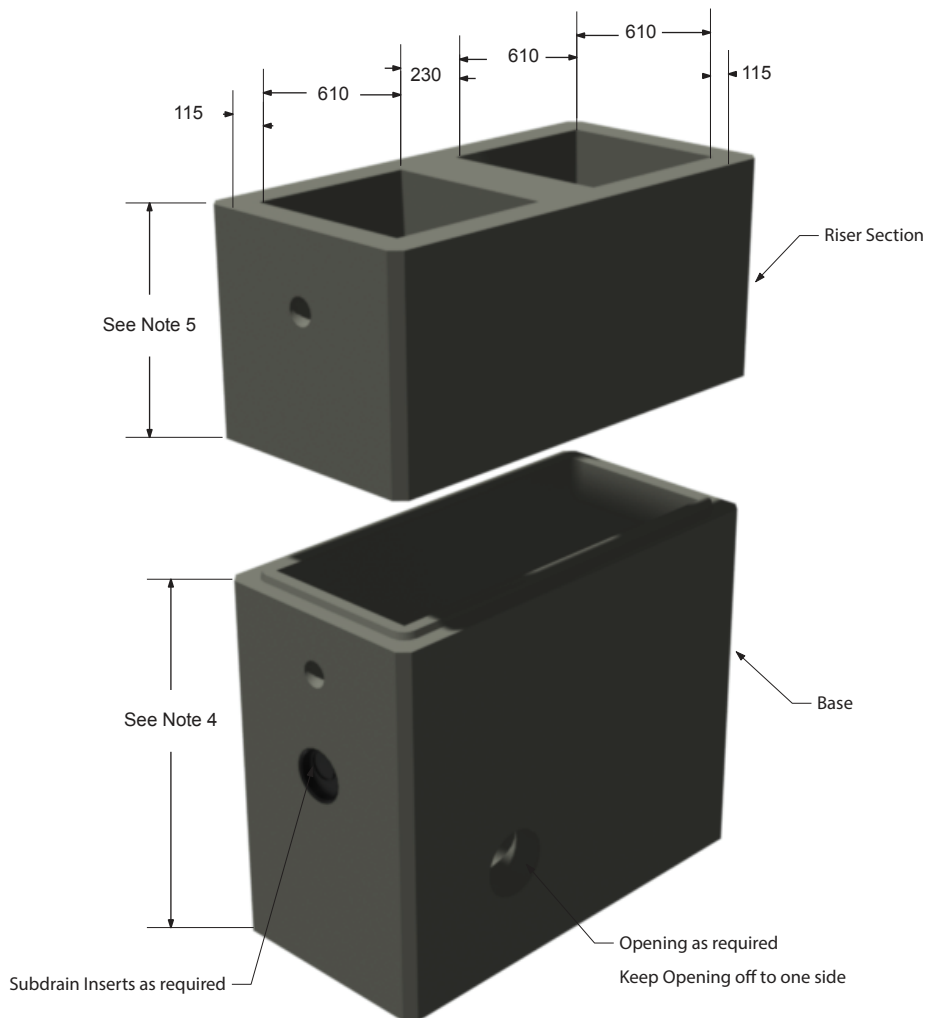


600 x 1450mm Twin Inlet Catch Basin

Notes

1. Manufactured in accordance with OPSD 705.020.
2. Standard opening size - 400mm diameter.
3. Vertical height may be increased by using two single catch basin riser sections. See page 71 for available riser sections.
4. Riser sections available - 305, 457, 610, 914, and 1219mm.
5. Subdrain connection insert for 100, 125, and 150mm diameter standard on all stock twin inlet catch basins.
6. GOSS traps available upon request.
7. IPEX/Plastech ICD backplates available.





600 x 1450mm Twin Inlet Catch Basin

Notes

1. Manufactured in accordance with OPSD 705.020.
2. Standard sump of 600mm is provided.
3. Pipe gaskets available upon request.
4. Base heights as follows (Structures can be made in 1 piece):
.61m - 2.13m @ .15m increments.
5. Riser Section heights as follows: .76m - 1.68m @ .15m increment.
6. IPEX/Plastech ICD backplates available.

